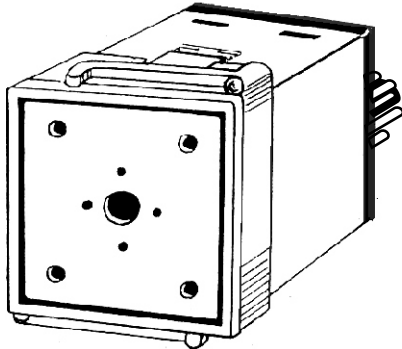


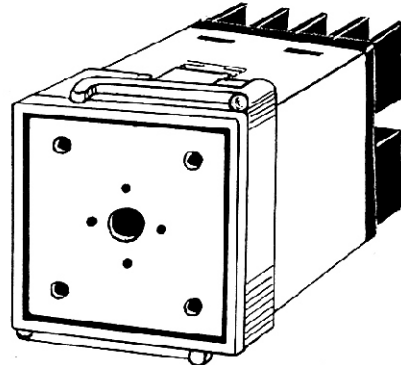
ENCLOSURE EF.4848

ISSUE - PIS/EF.4848
DATE : 01.10.12

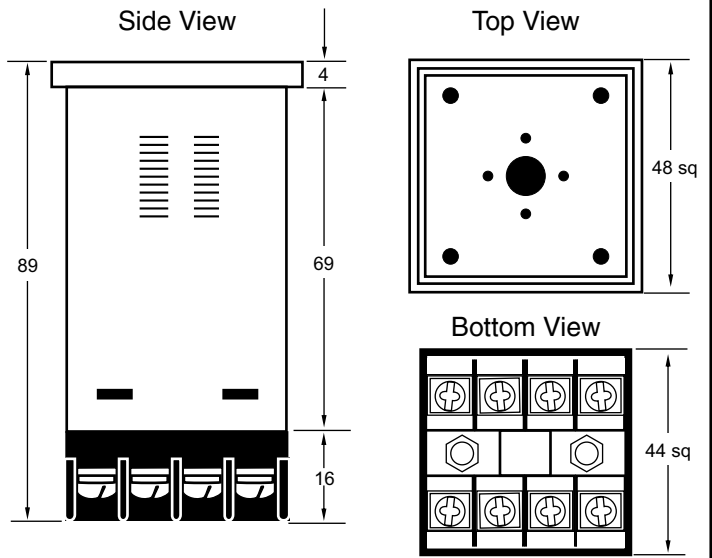
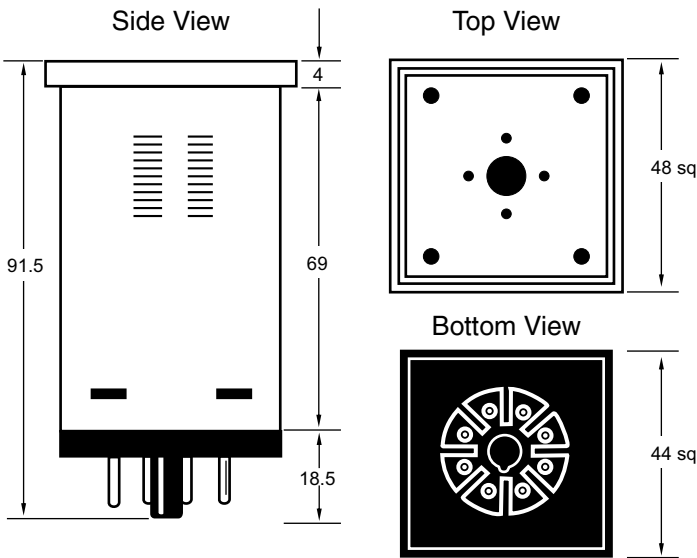
Flush Rear Panel Mount
Octal Plug



Flush Rear Panel Mount
8 Screw Terminals



PANEL CUT OUT 45x45mm



SPECIFICATIONS

MECHANICAL

HOUSING : ABS
OCTAL BASE : NYLON GLASS FILLED
OCTAL PLUG - IN PINS : BRASS / TINNED
MOUNTING CLAMPS : PLASTIC

HOUSING : ABS
TERMINAL BASE : NYLON GLASS FILLED
TERMINALS : BRASS / TINNED
SCREWS : BRASS / NICKEL PLATED
WASHERS : BRASS / NICKEL PLATED
MOUNTING CLAMPS : PLASTIC

ELECTRICAL

VOLTAGE : 300 V AC
CURRENT : 10 Amp
INSULATION RESISTANCE : > 100 MEG ohms at 500V DC

VOLTAGE : 300V AC
CURRENT : 10 Amp
INSULATION RESISTANCE : > 100 MEG ohms at 500V DC

ORDERING CODE

Series	Termination
EF.4848	8 P - Octal Plug
	8 T - Screw Terminals

→ EF.4848 - 8P ←

Manufactured by:

piri electrols pvt. ltd.

A-28, Royal Industrial Estate, Naigaum Cross Road, Wadala, Mumbai 400031. INDIA.

☎ (022) 2412 8342/43 • Fax: (022) 2414 9077 • E-Mail : piri electrols@gmail.com • Website : www.pirielelectrols.com

